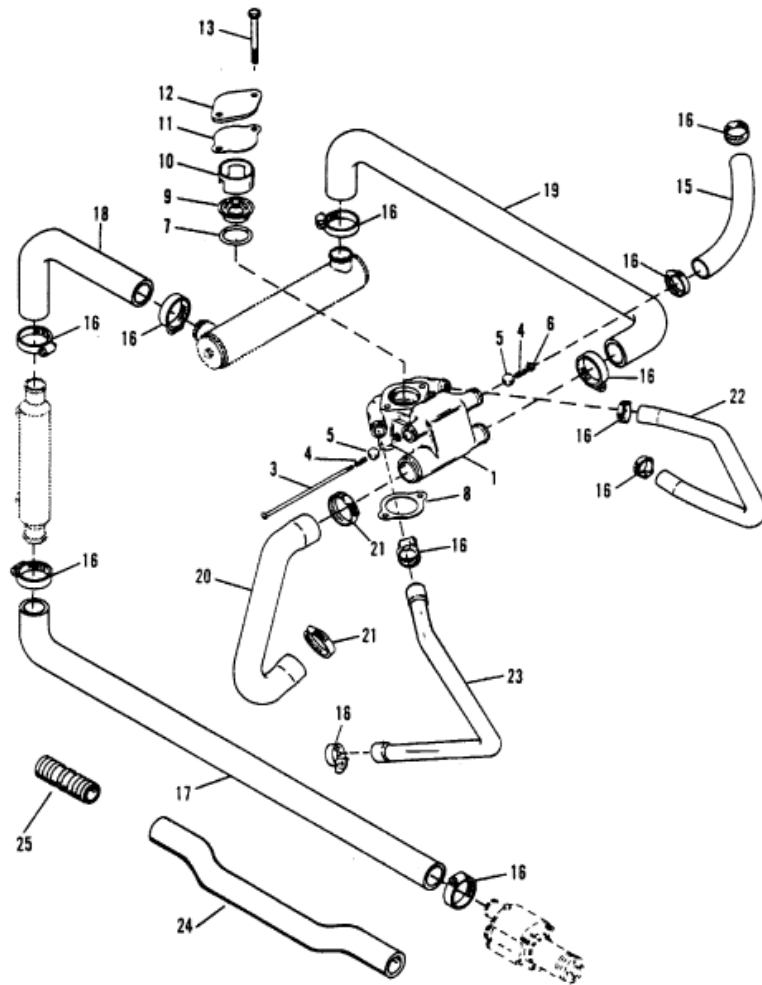


Parts List



Ref	Class	Part	Description	Qty	Comment	Footnote
1		16413A 9	THERMOSTAT HOUSING	1		
3	10	17989	SCREW	1	USE IF APPLICABLE	
4	24	75533	SPRING	2	USE IF APPLICABLE	
5	30	98475	NYLON BALL	2	USE IF APPLICABLE	
6	11	29488	NUT	1	USE IF APPLICABLE	
7	25	30224	O-RING	1		1
8	27	53045 1	GASKET	1		1
9		807252 1	THERMOSTAT (143 DEGREES)	1		
10	23	806922	SLEEVE	1		
11	27	33179 2	GASKET	1		1
12		17494A 1	COVER	1		
13	10	60410	SCREW (4-1/4")	2		
15	32	817433	HOSE (MOLDED - PORT/STARBC	2		
15	32	817434	HOSE (MOLDED - PORT/STARBC	2		
16	54	815504220	CLAMP	AR		
17	32	821417	HOSE-PUMP TO COOLER	1		
18	32	816658	HOSE-OIL COOLER TO OIL COOL	1		
19	32	814861	HOSE-OIL COOLER TO THERMO:	1		
20	32	89718 1	HOSE-THERMOSTAT HOUSING	1		
21	54	815504232	CLAMP	2		
22	32	97385 2	HOSE-THERMOSTAT HOUSING	1		
23	32	807201	HOSE-THERMOSTAT HOUSING	1		
24	32	821415	HOSE-SEA PUMP INLET	1		
25		805135	COUPLING	1		